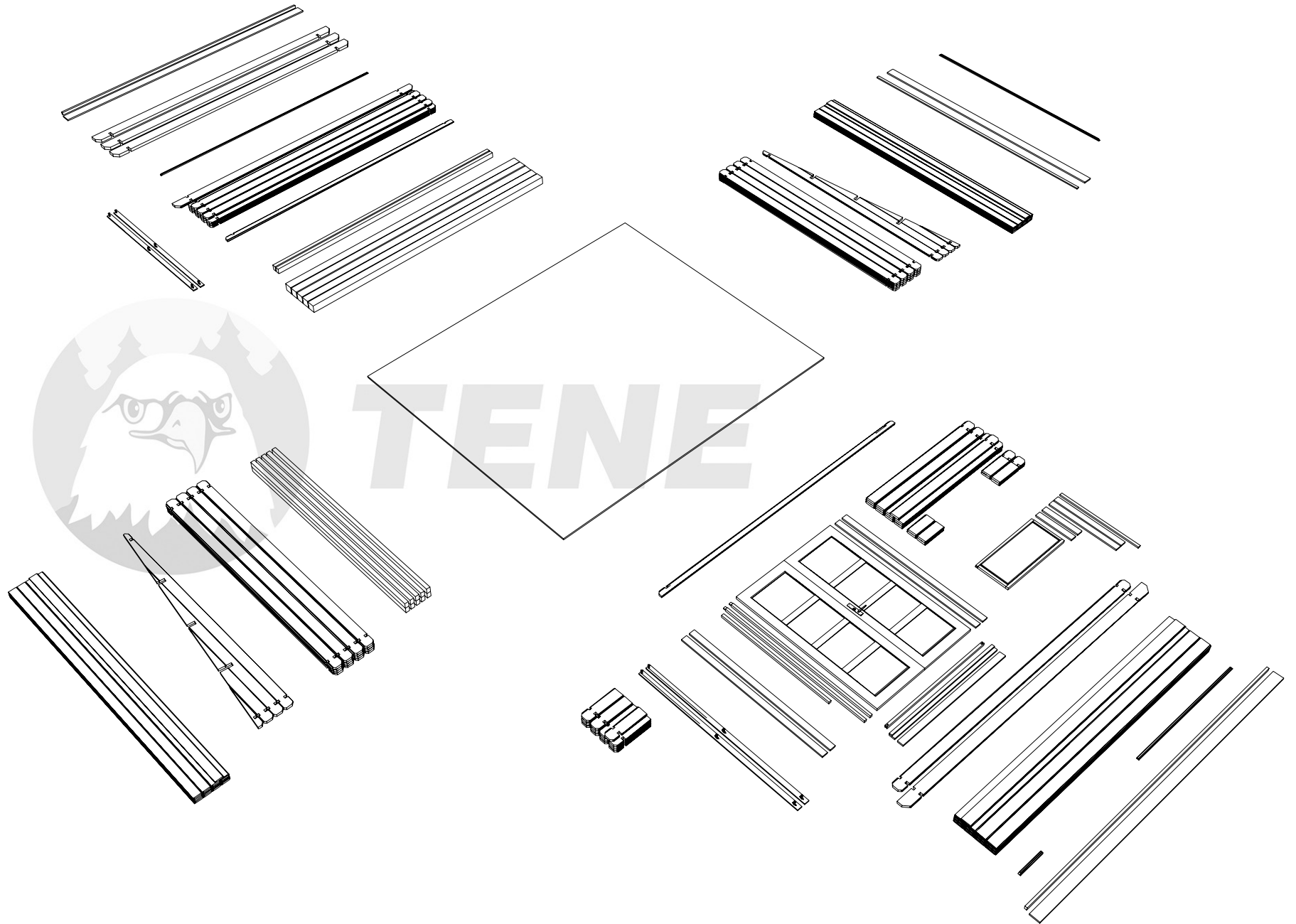
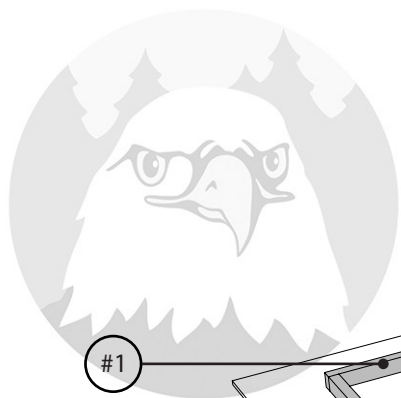


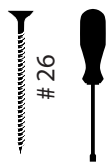
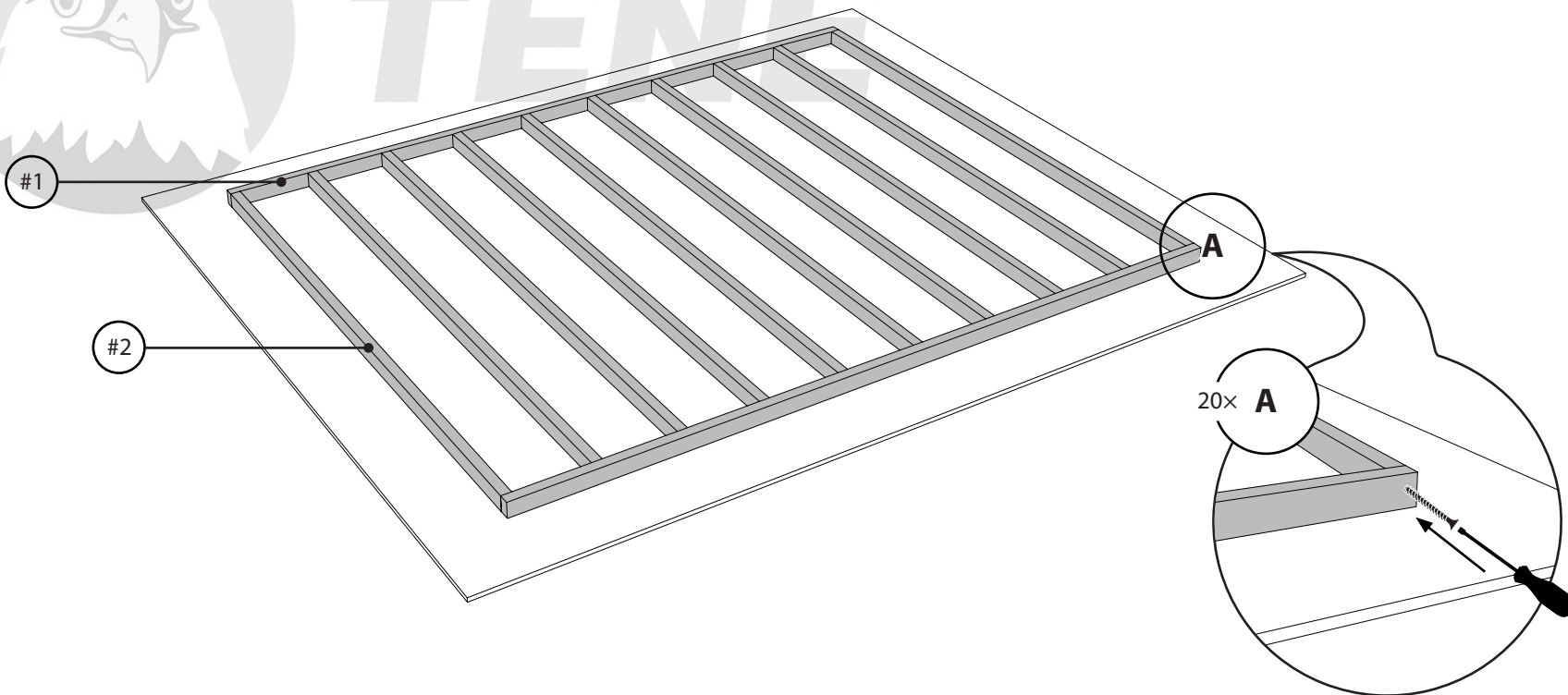
NEVADA 28



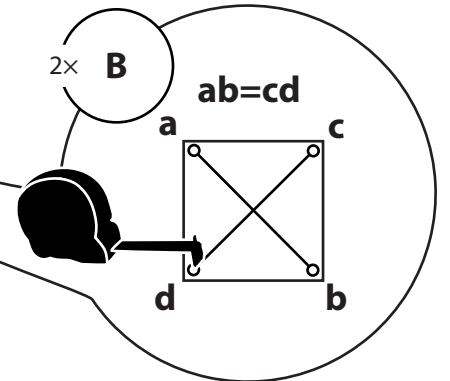
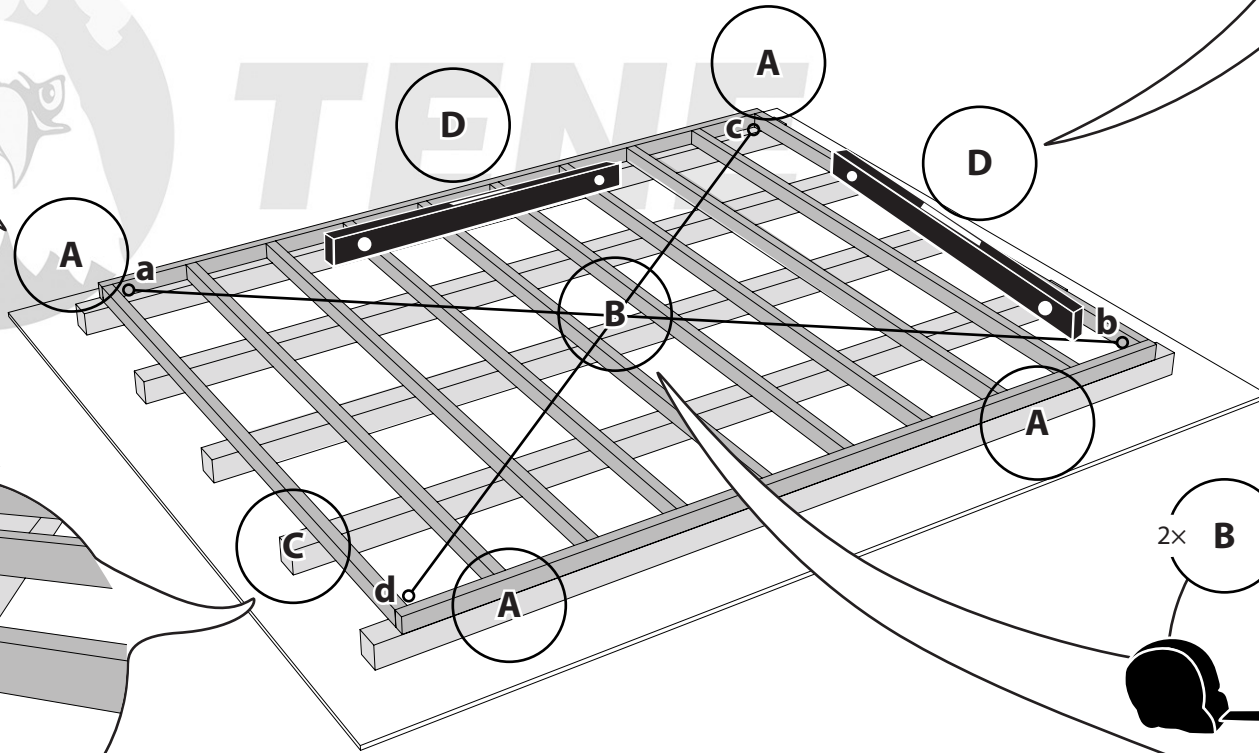
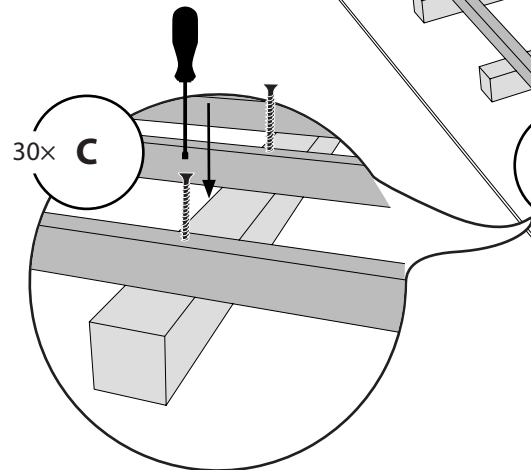
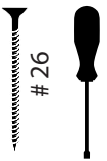
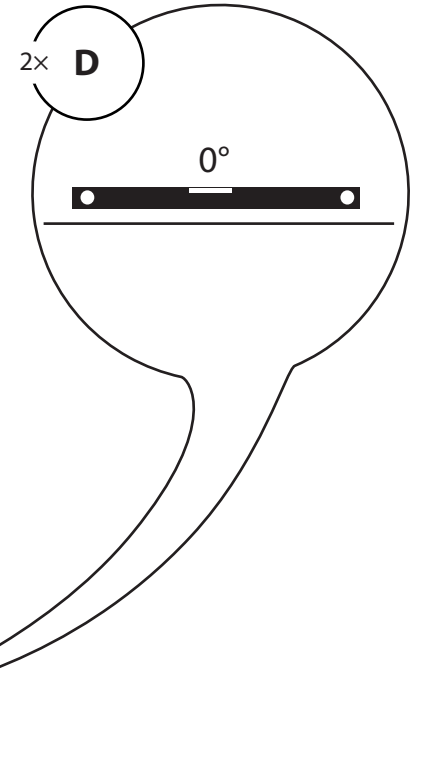
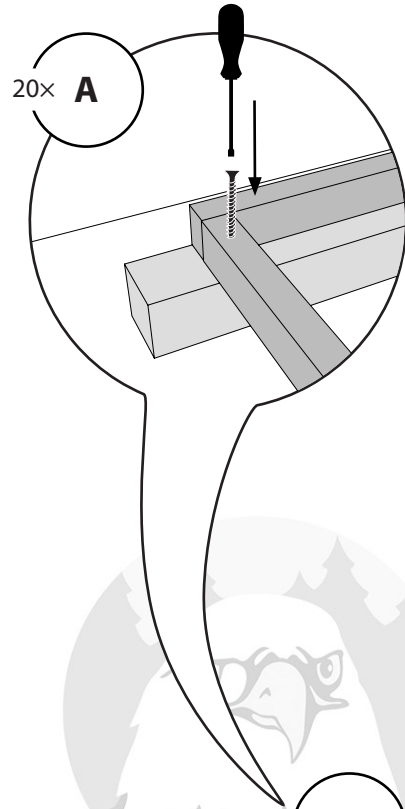
NEVADA 28



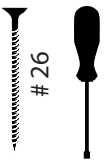
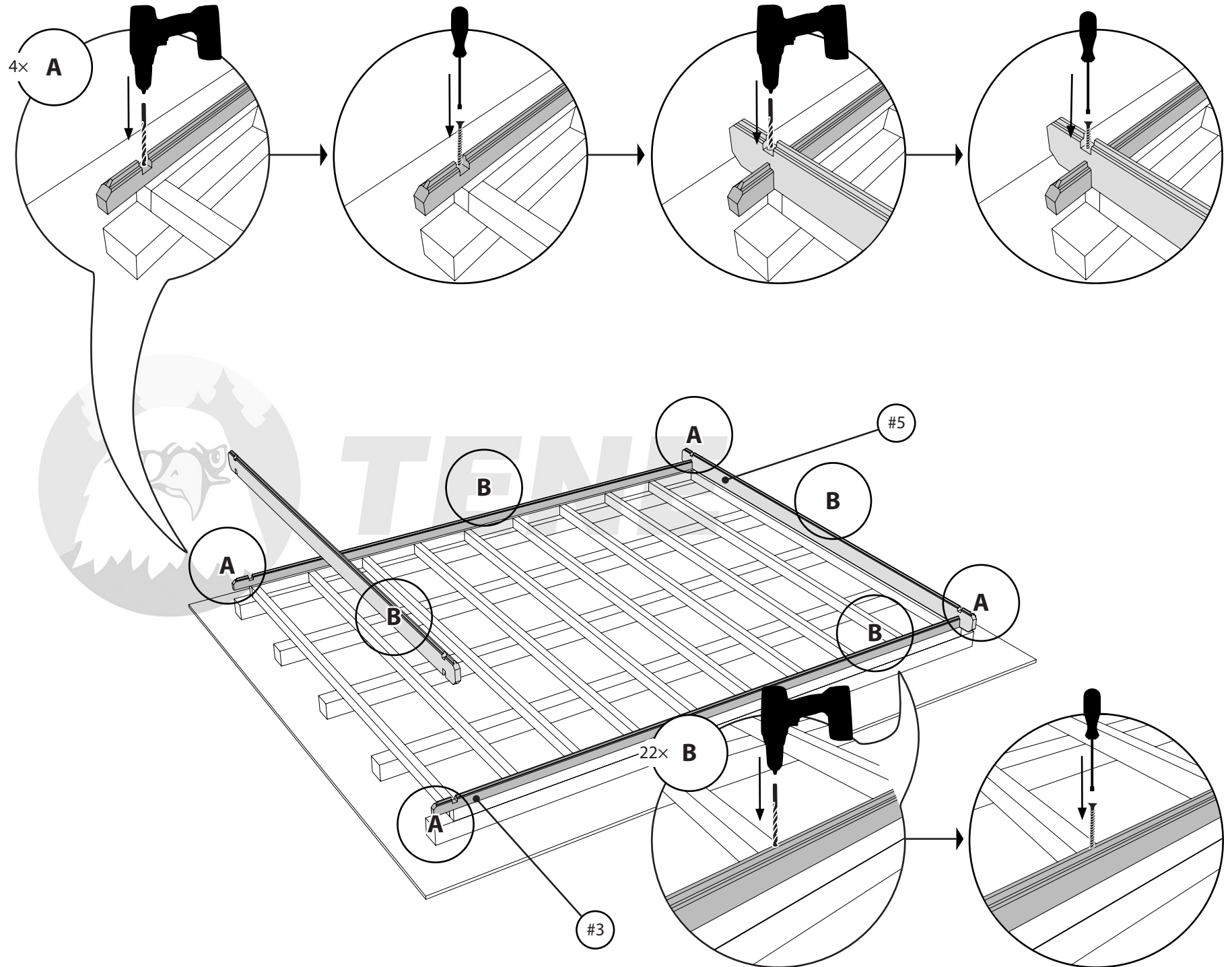
TENCEL



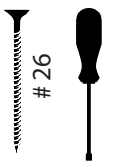
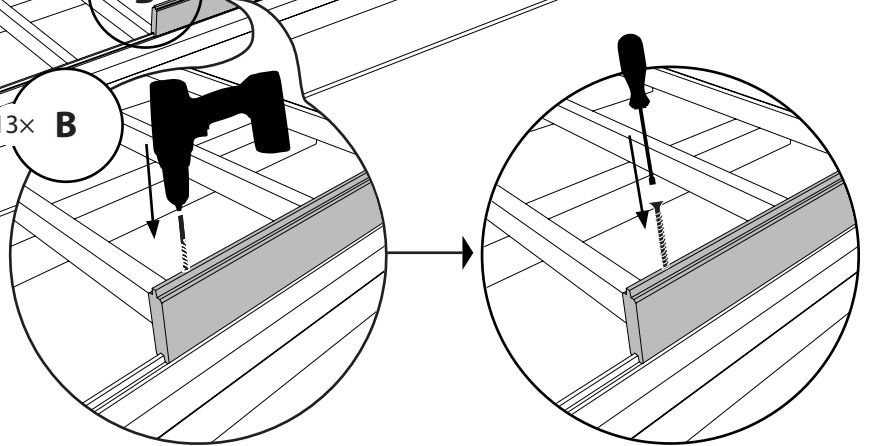
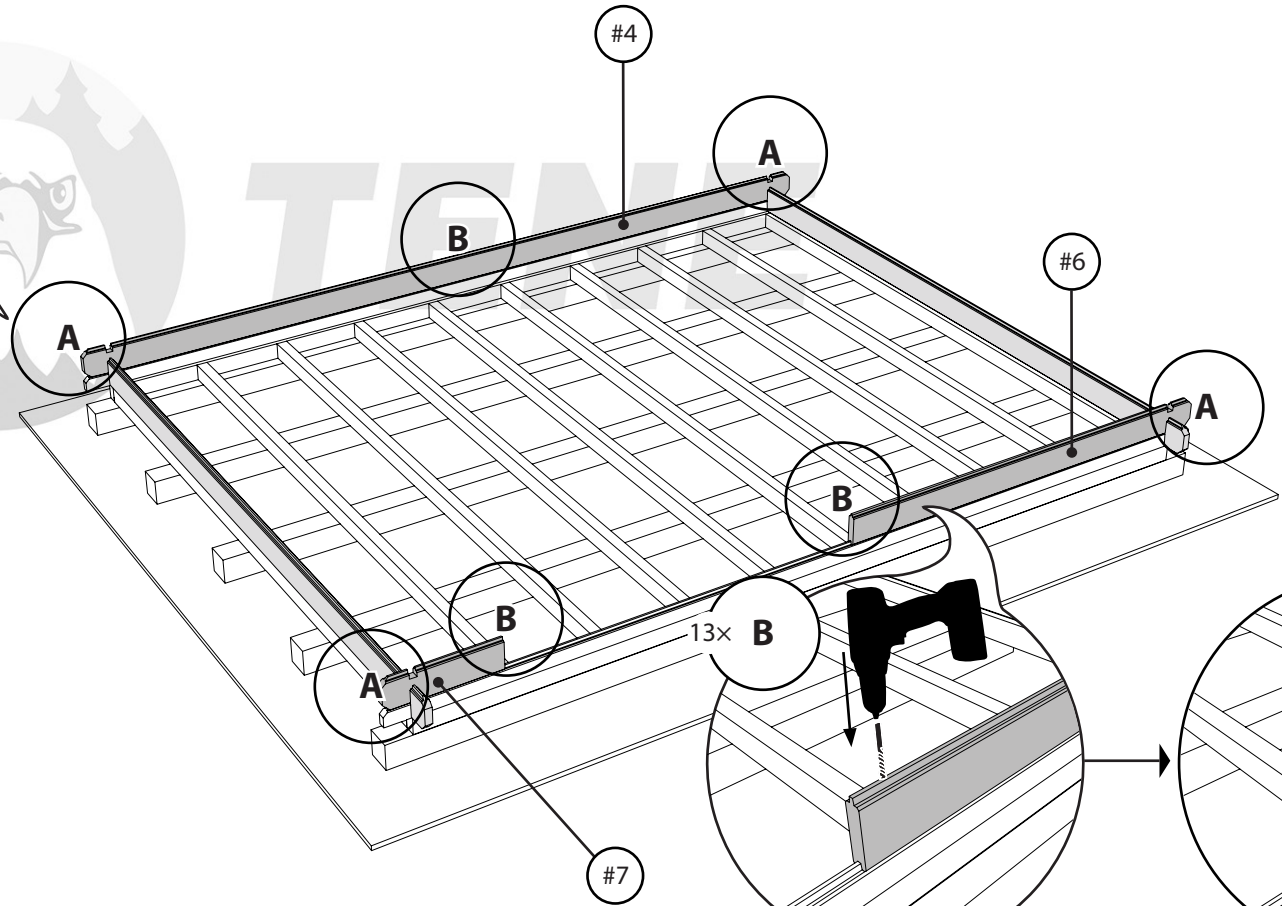
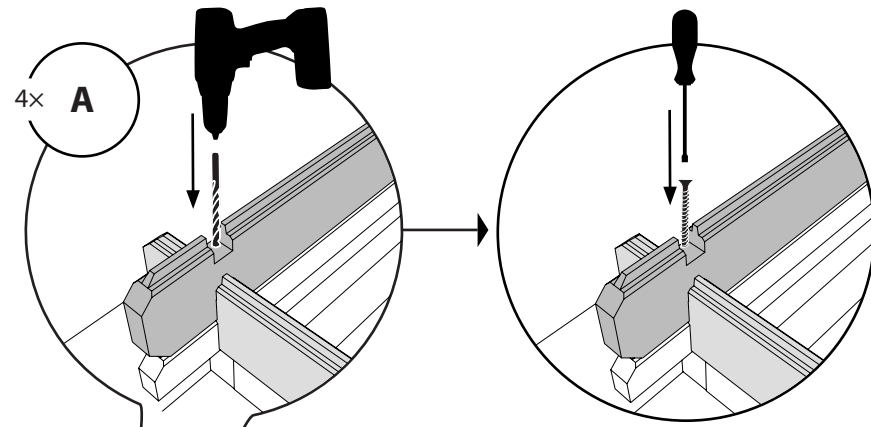
NEVADA 28



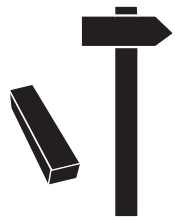
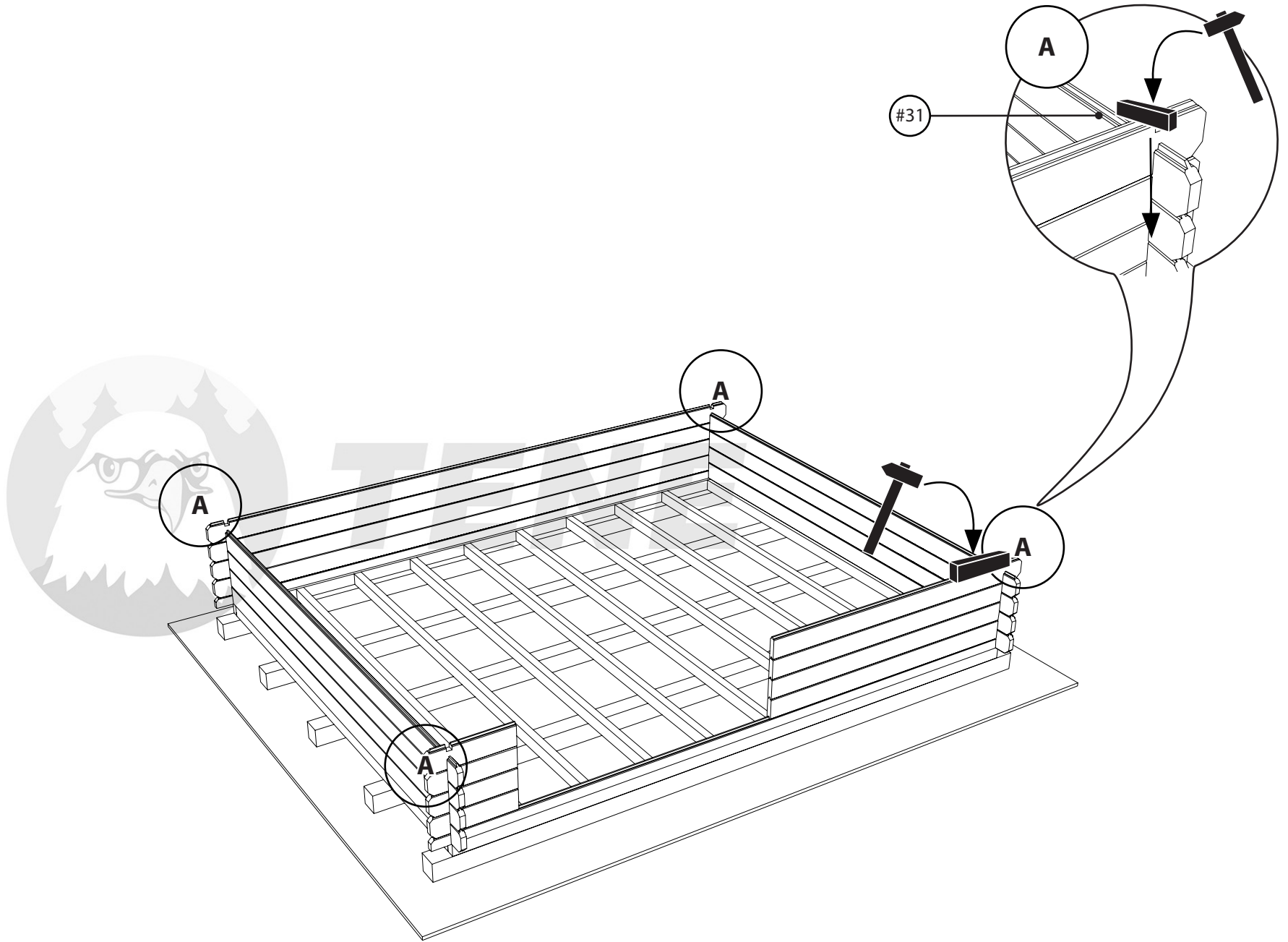
NEVADA 28

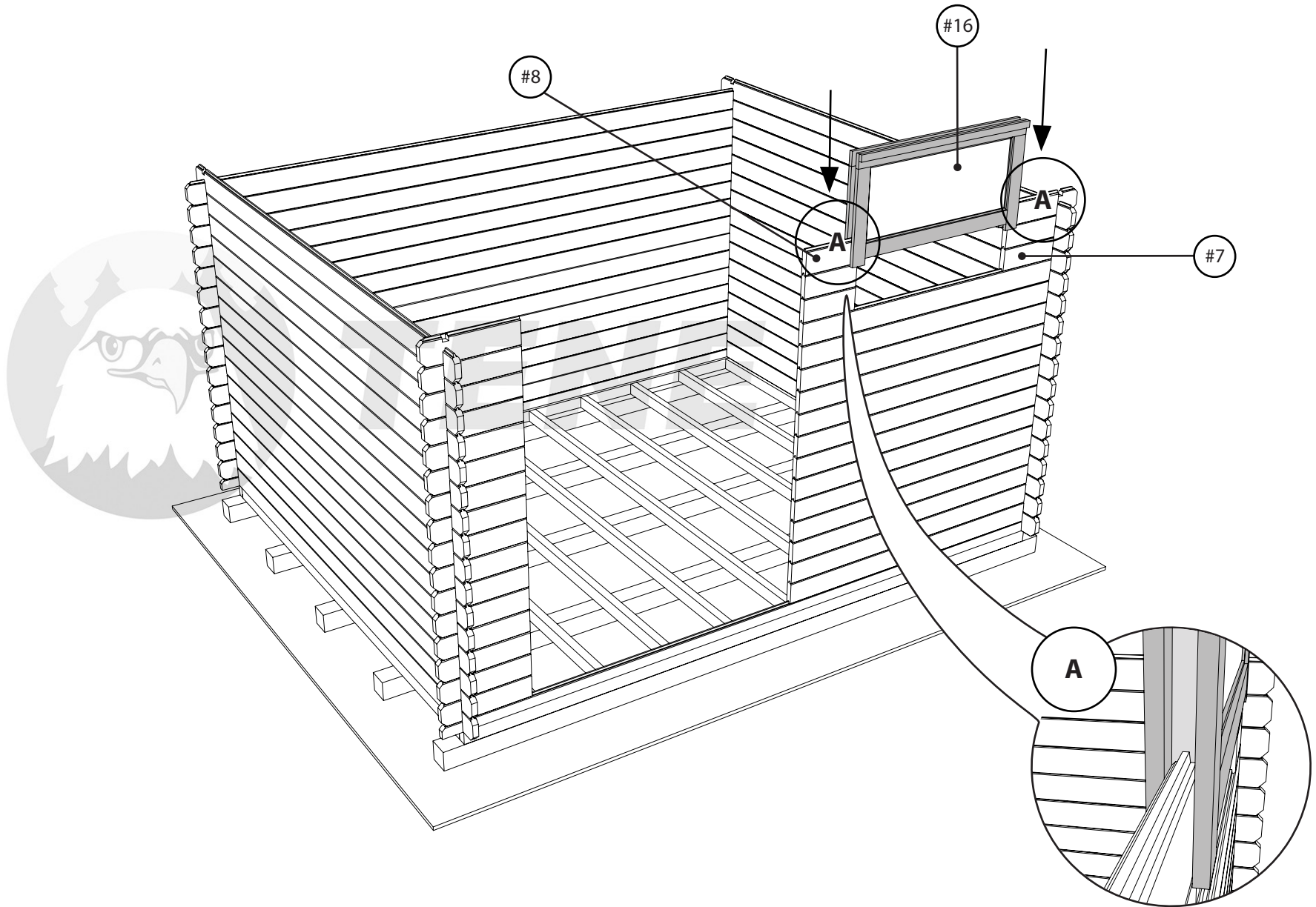


NEVADA 28

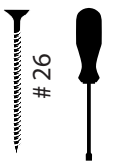
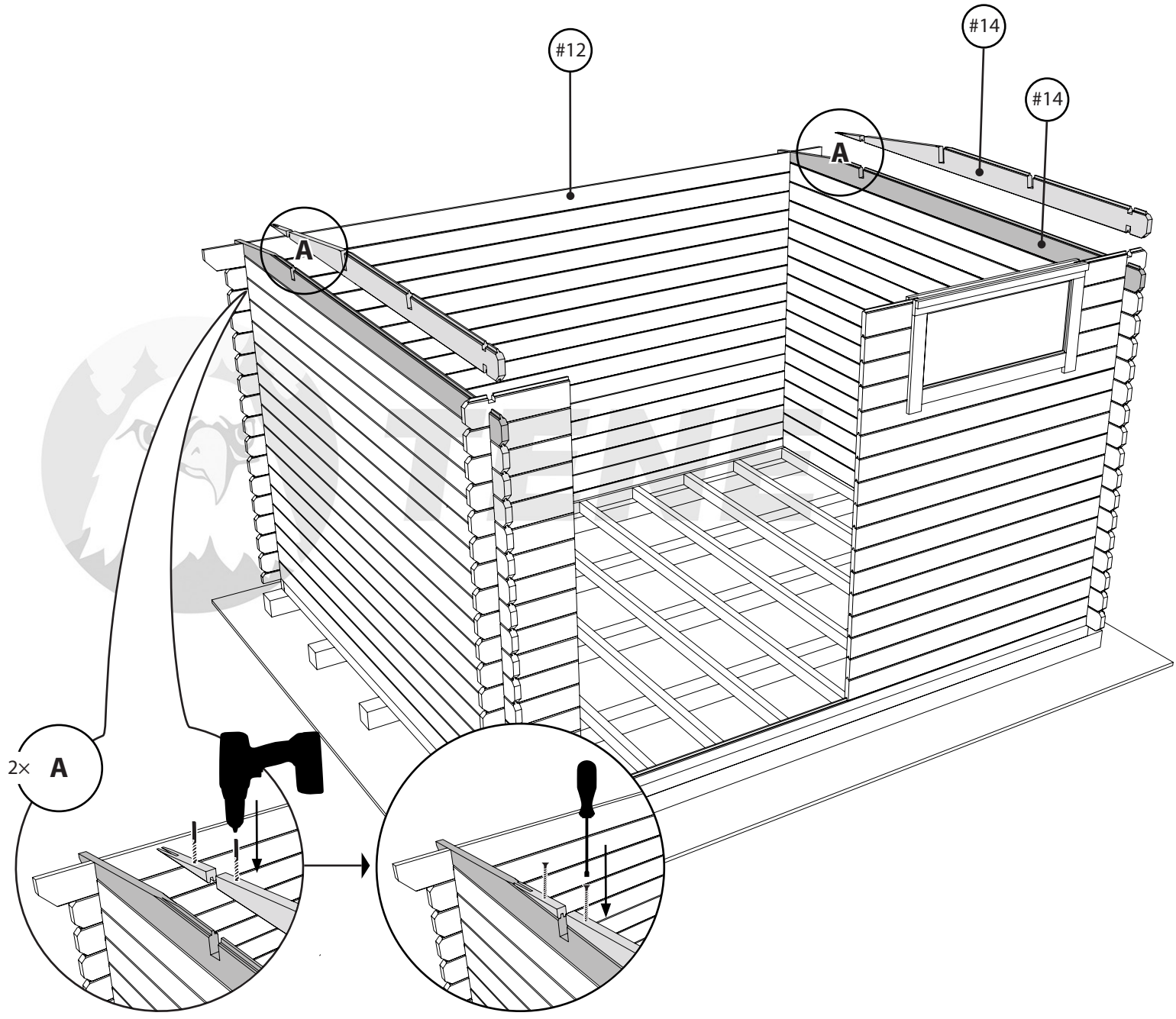


NEVADA 28





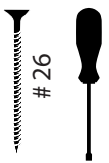
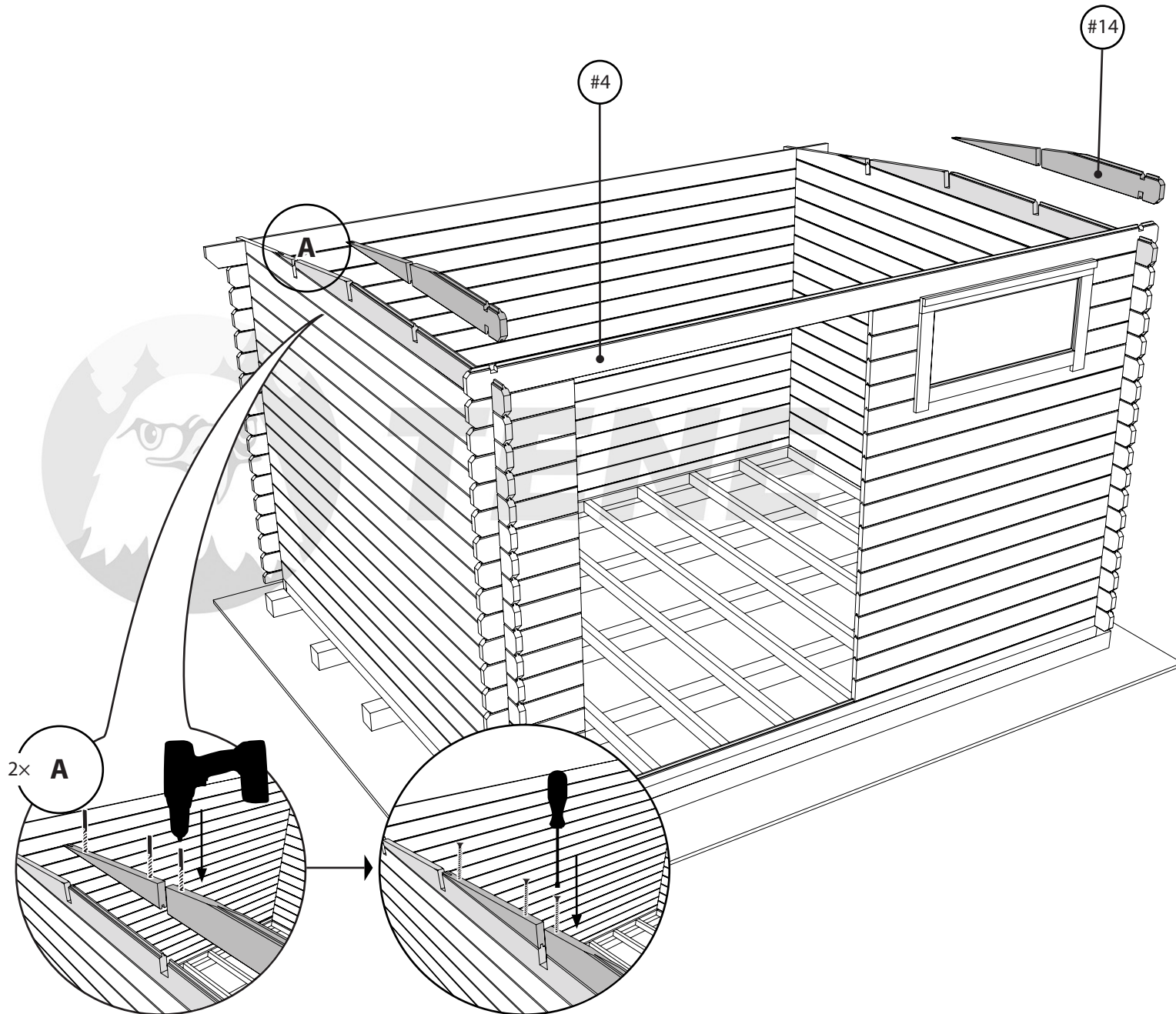
NEVADA 28



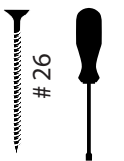
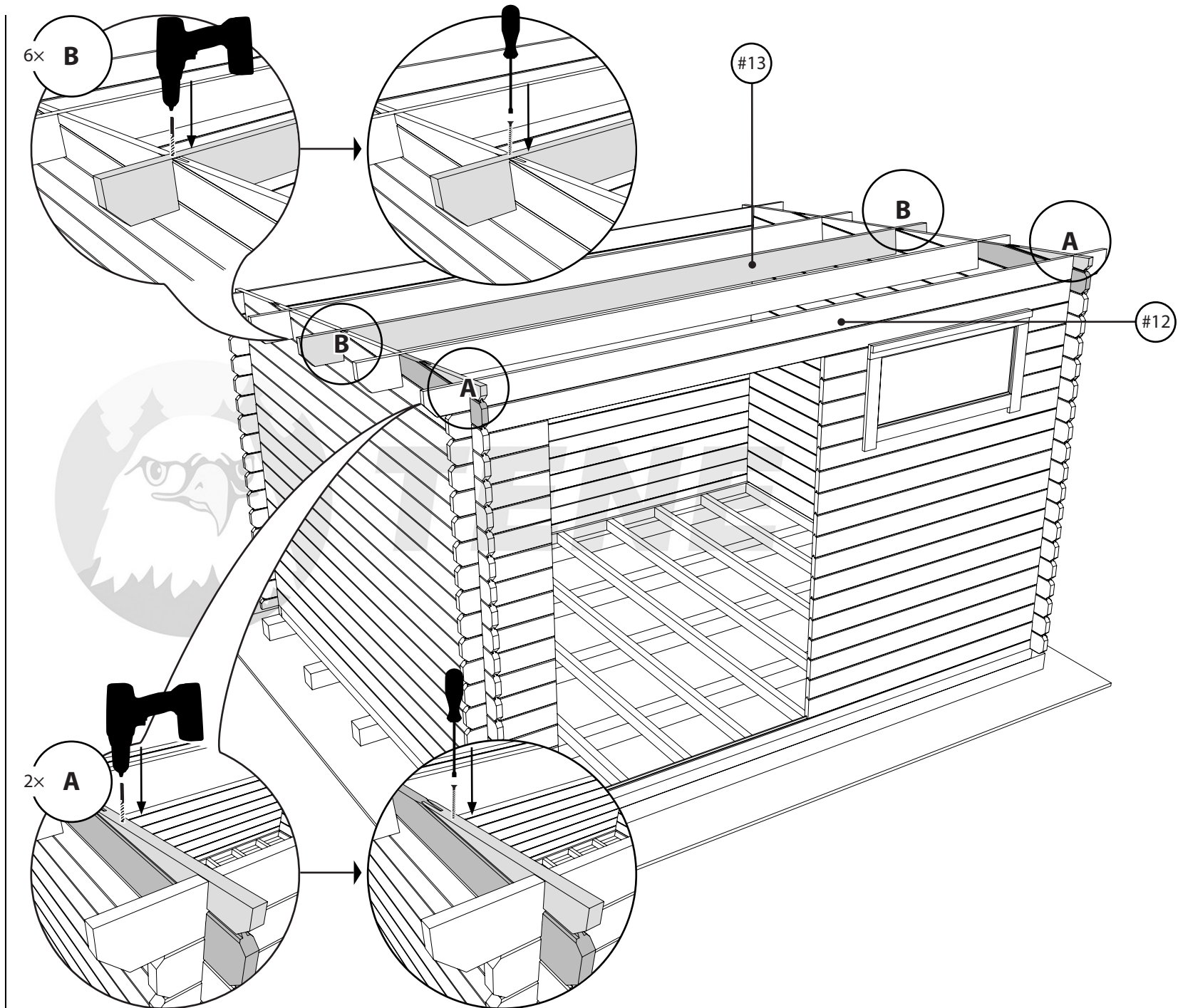
2x A



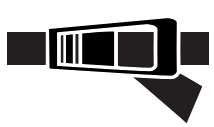
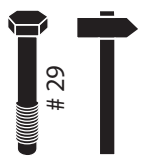
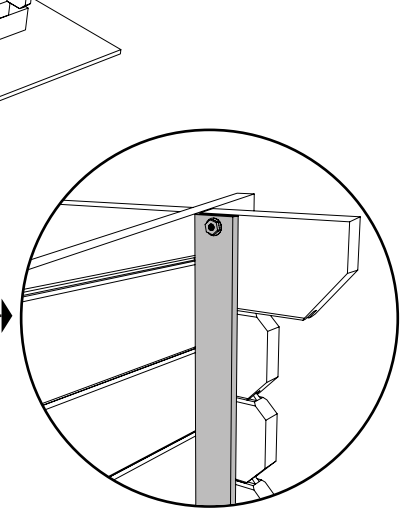
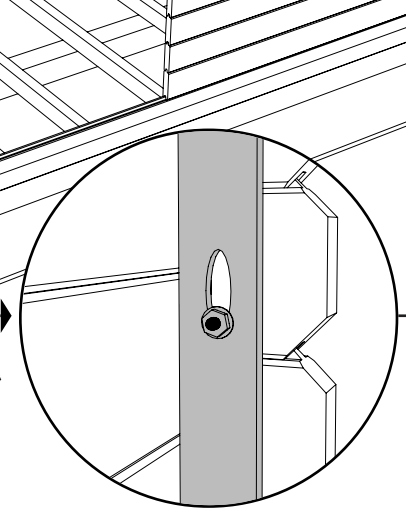
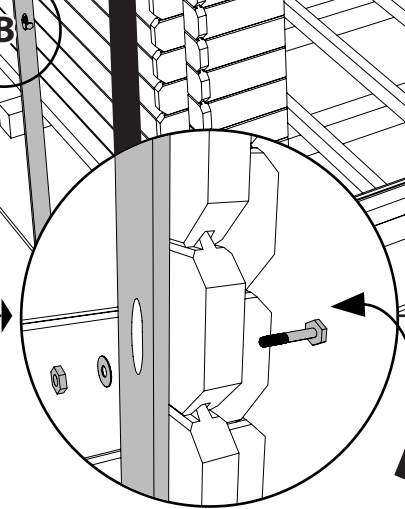
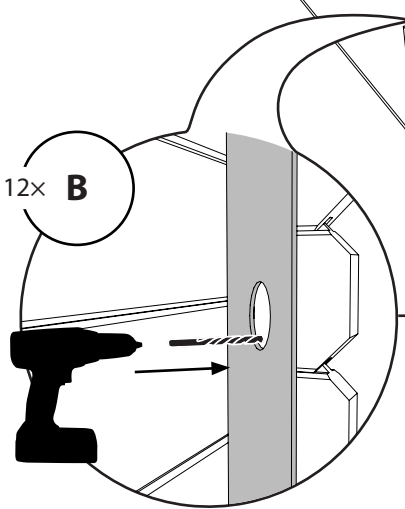
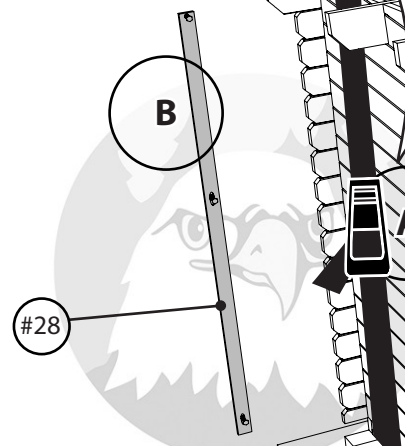
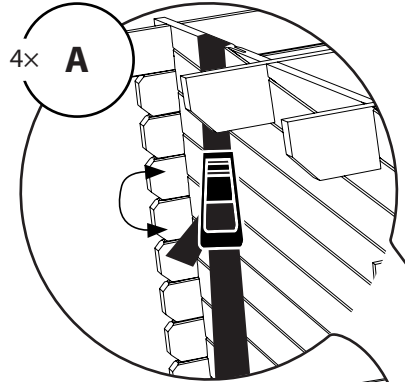
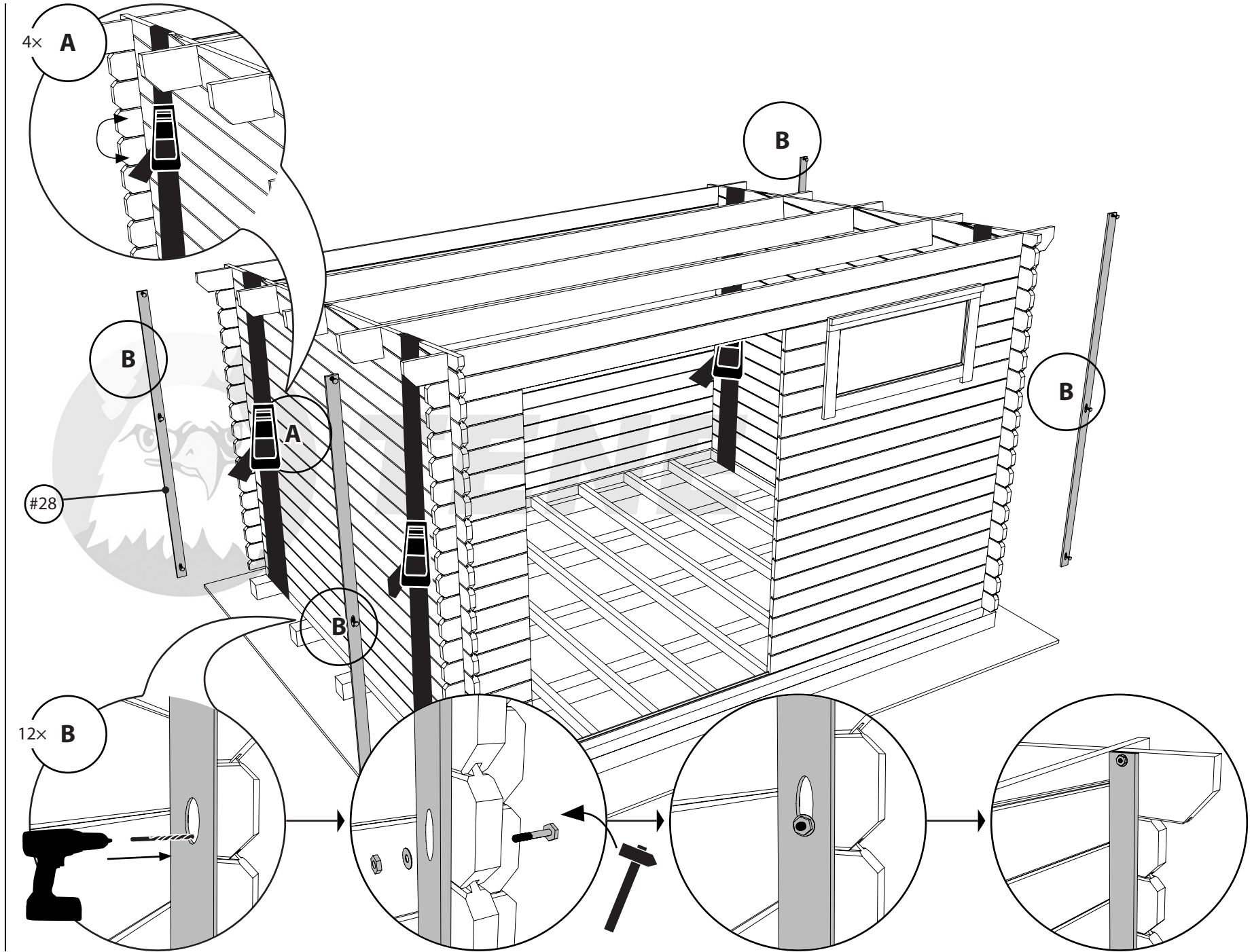
NEVADA 28

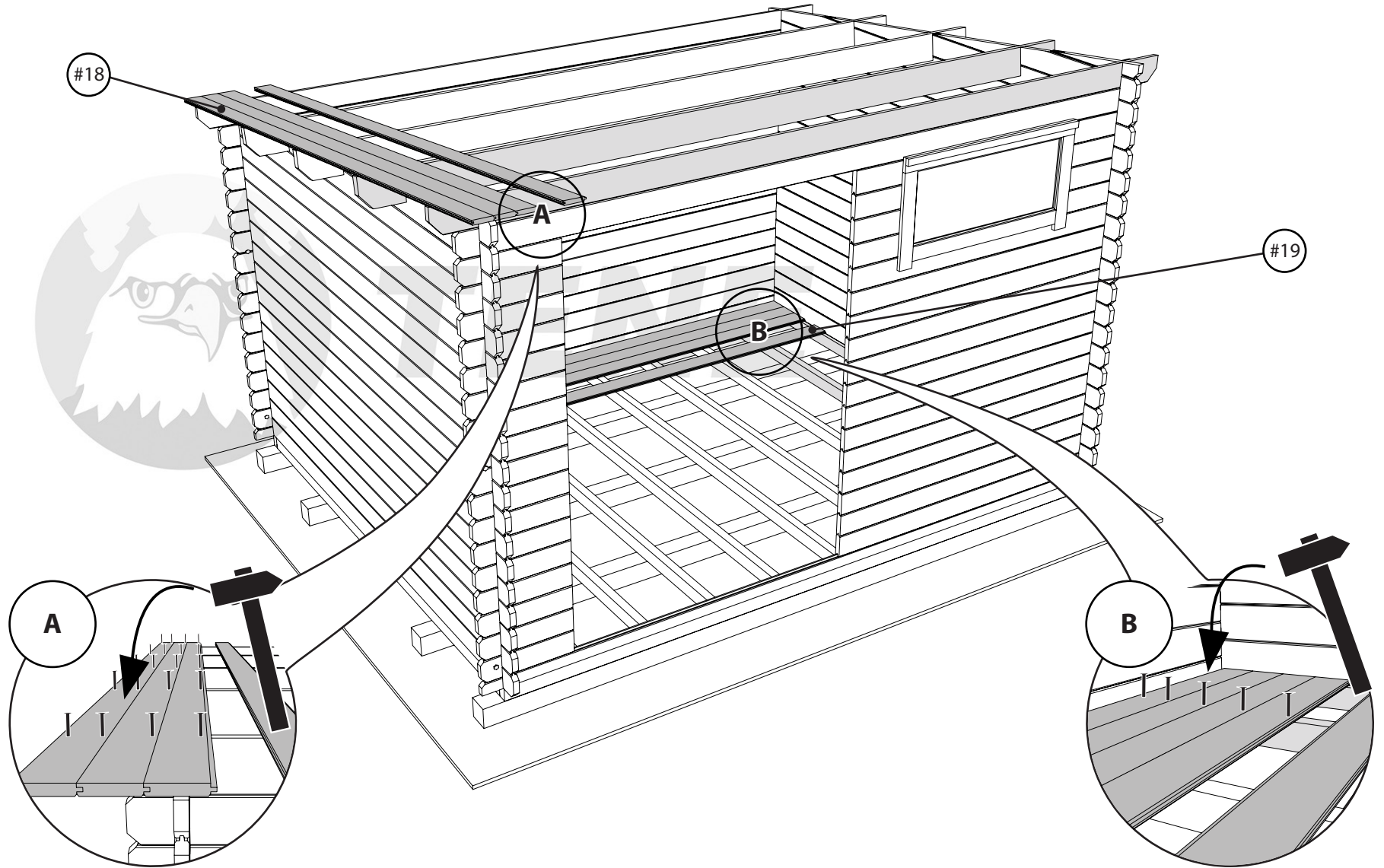


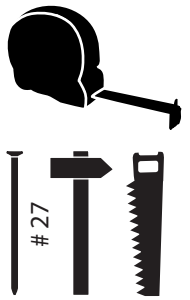
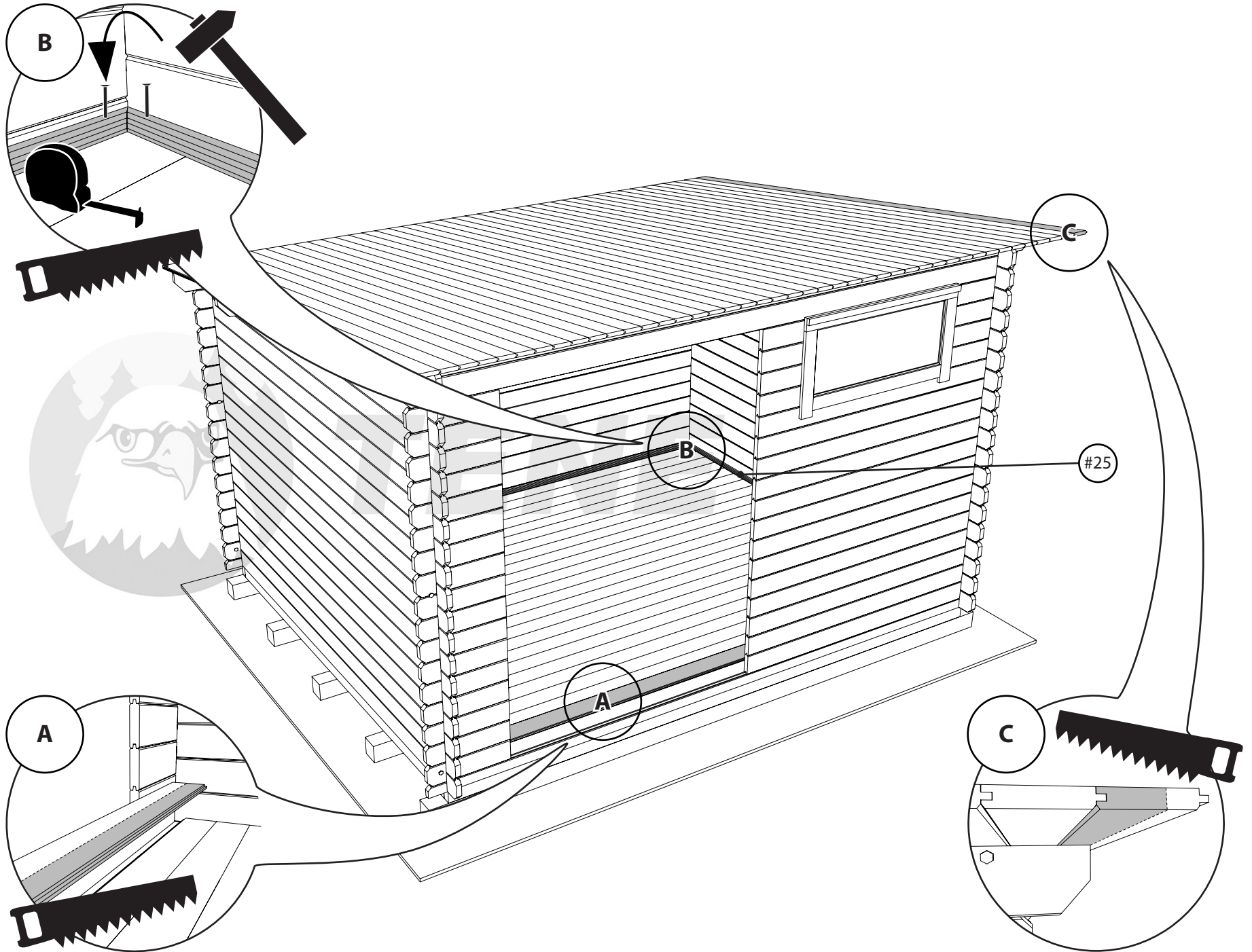
NEVADA 28



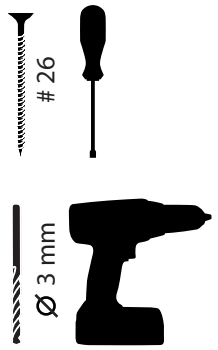
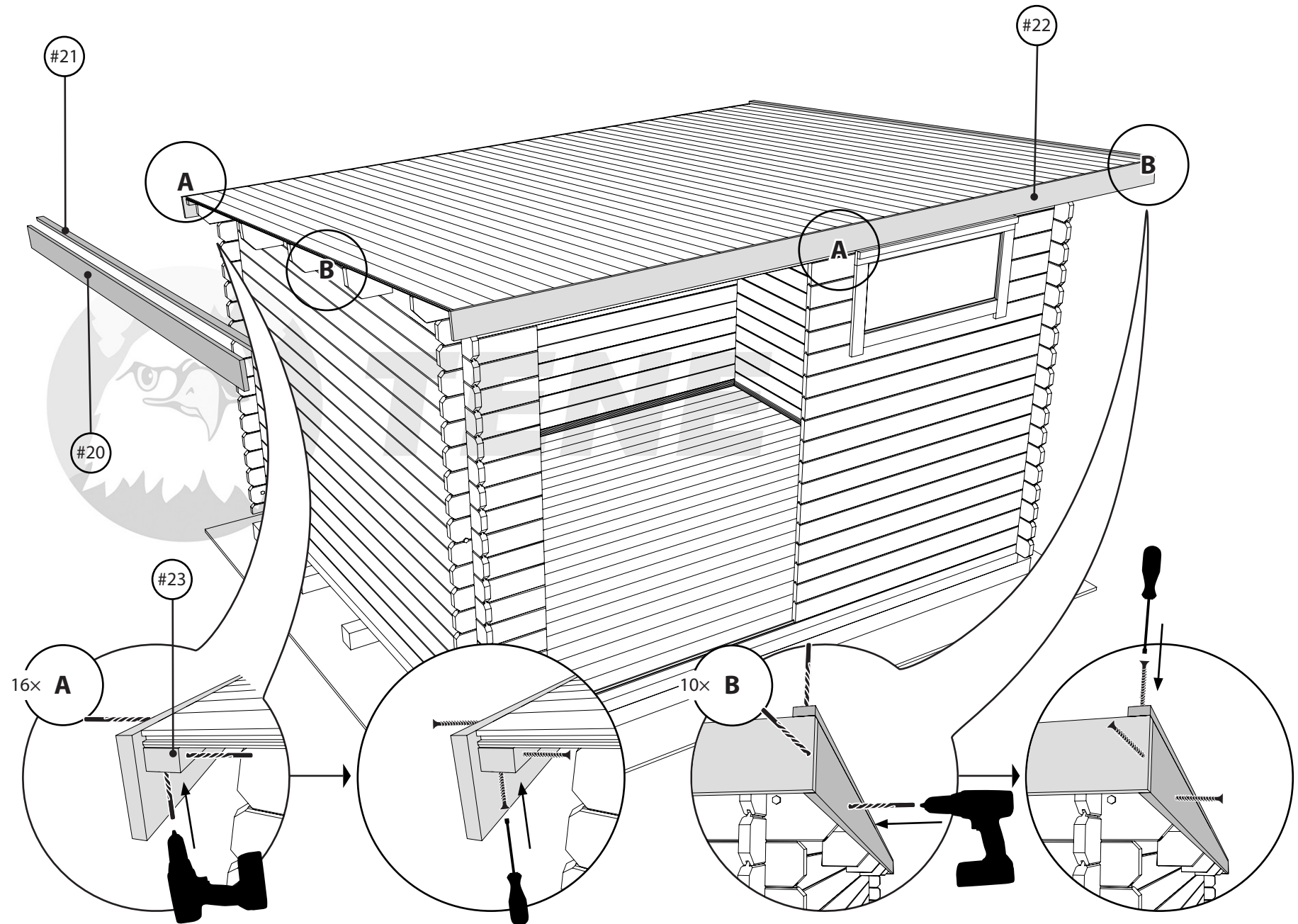
NEVADA 28



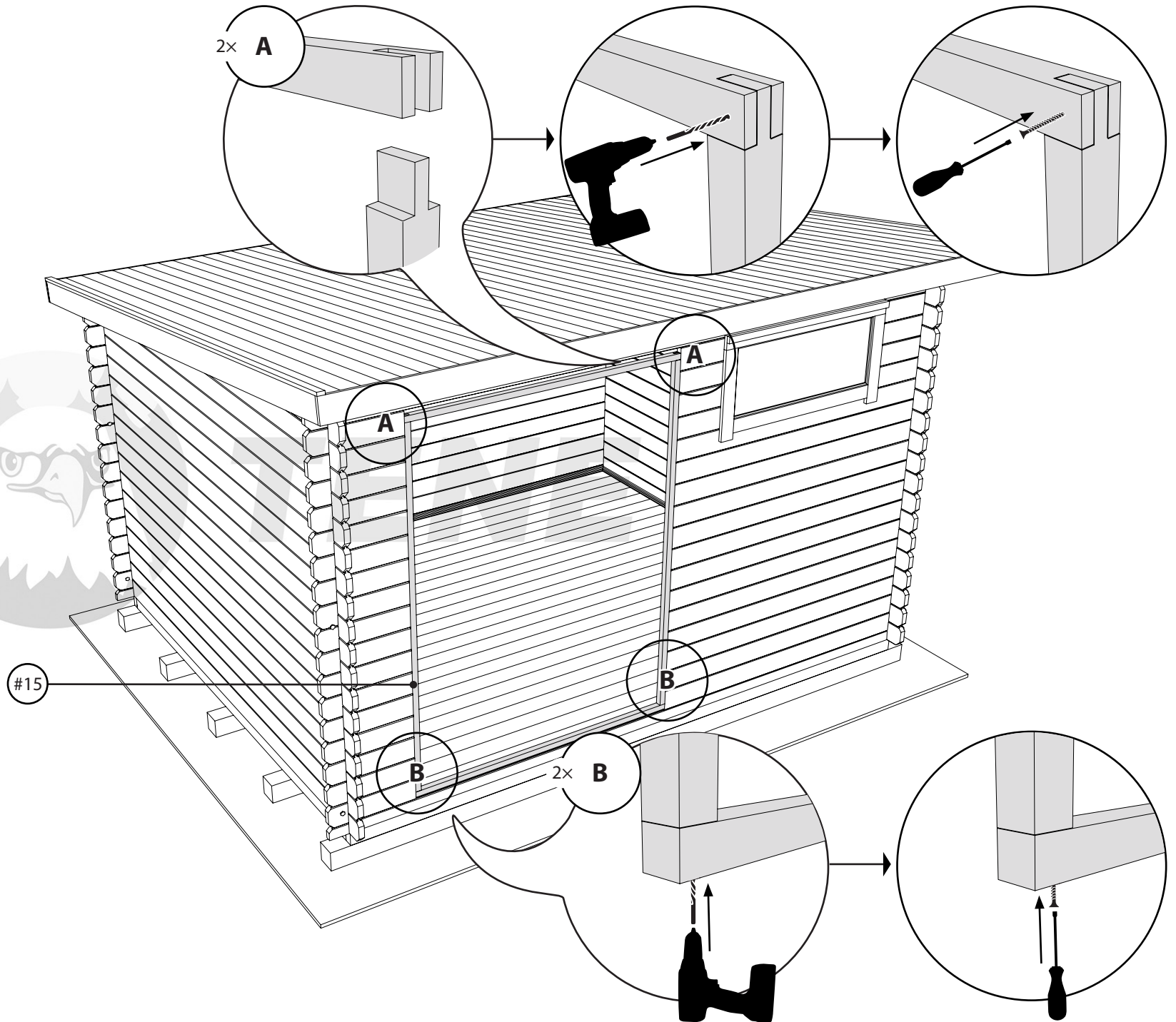


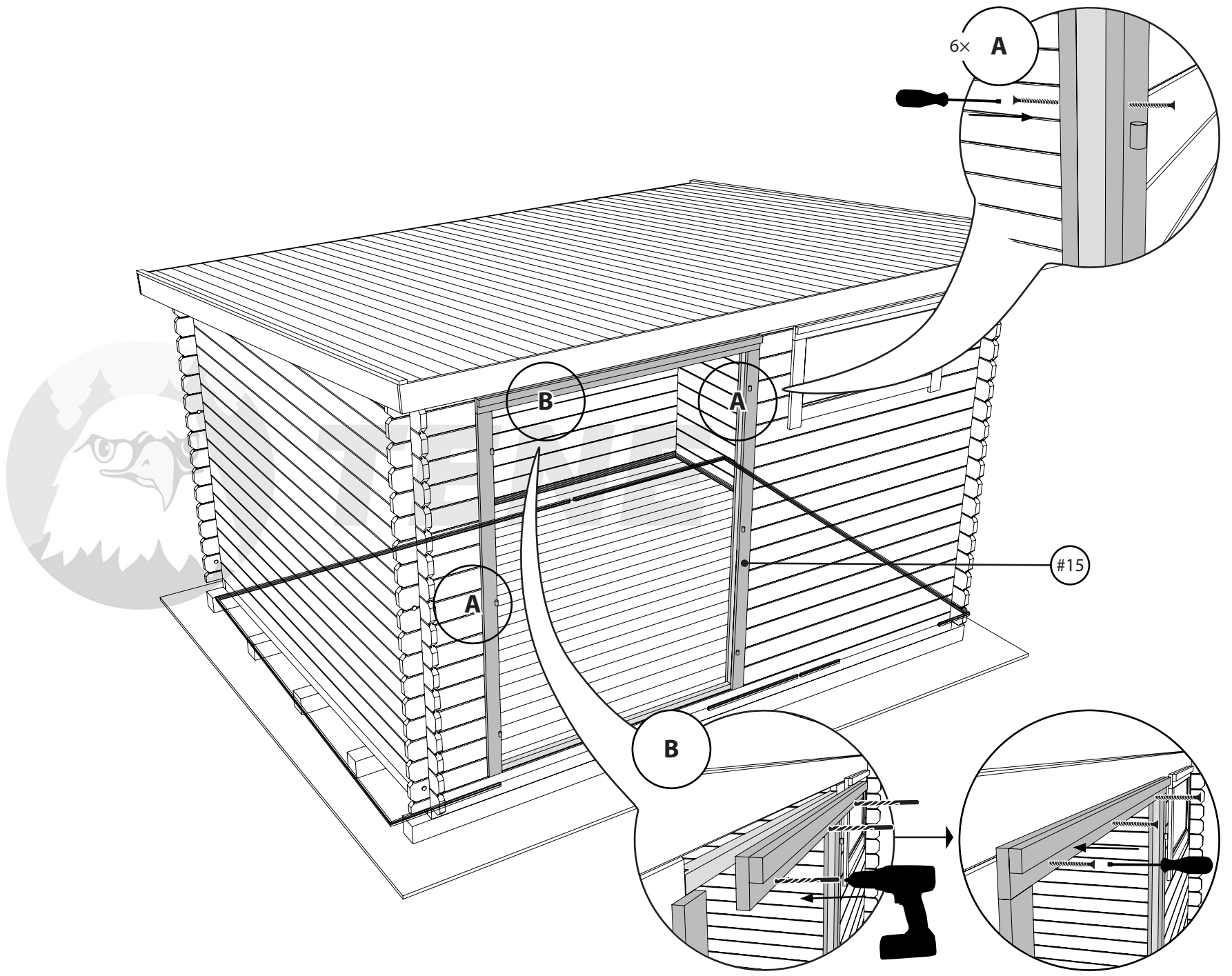


NEVADA 28



NEVADA 28







NEVADA 28

