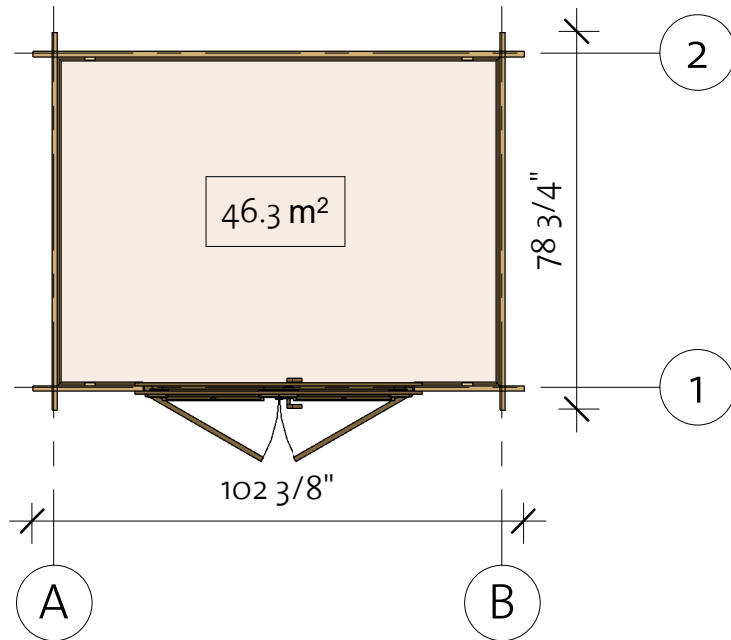
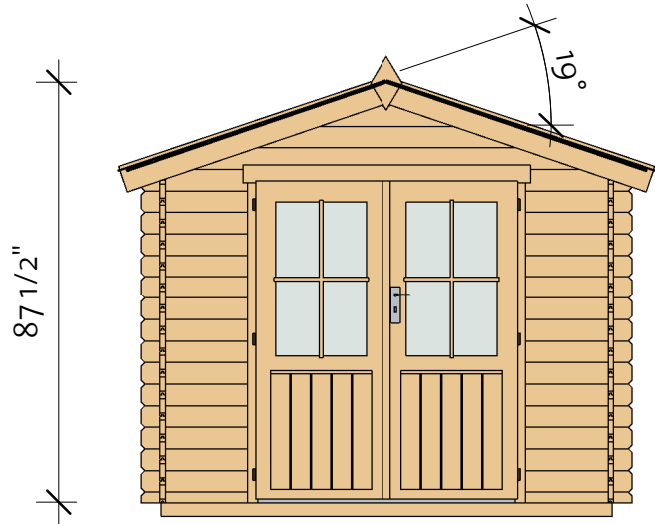


Carol 1 1/8" (9 7/16" x 7 1/16")




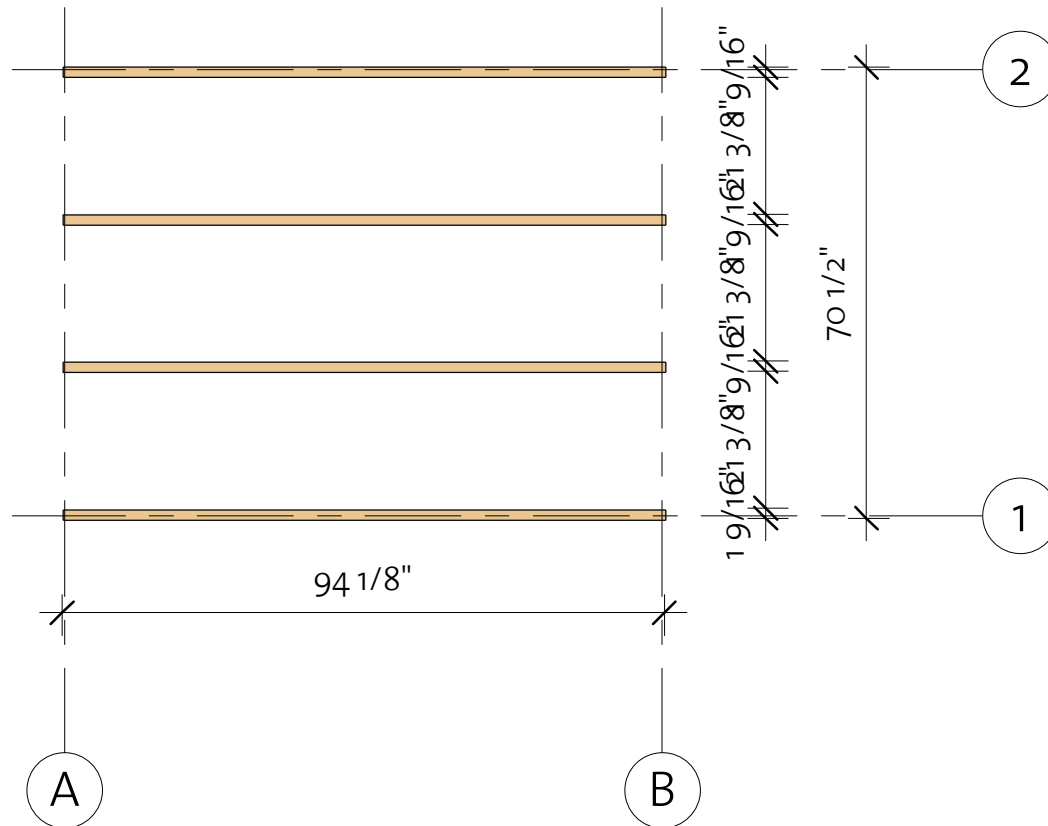
200714

Carol 1 1/8" (9 7/16" x 7 1/16")

Foundation

Impregnated foundation beams				
Mark	Type	Profile	Count	Length

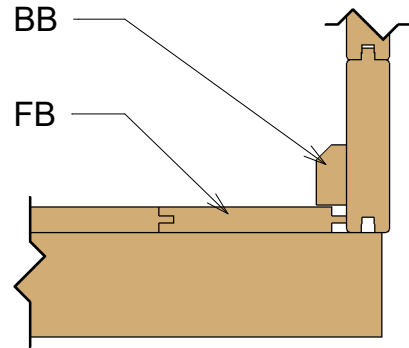
IFB	IFB 40x70		4	94 1/8"
-----	--------------	---	---	---------





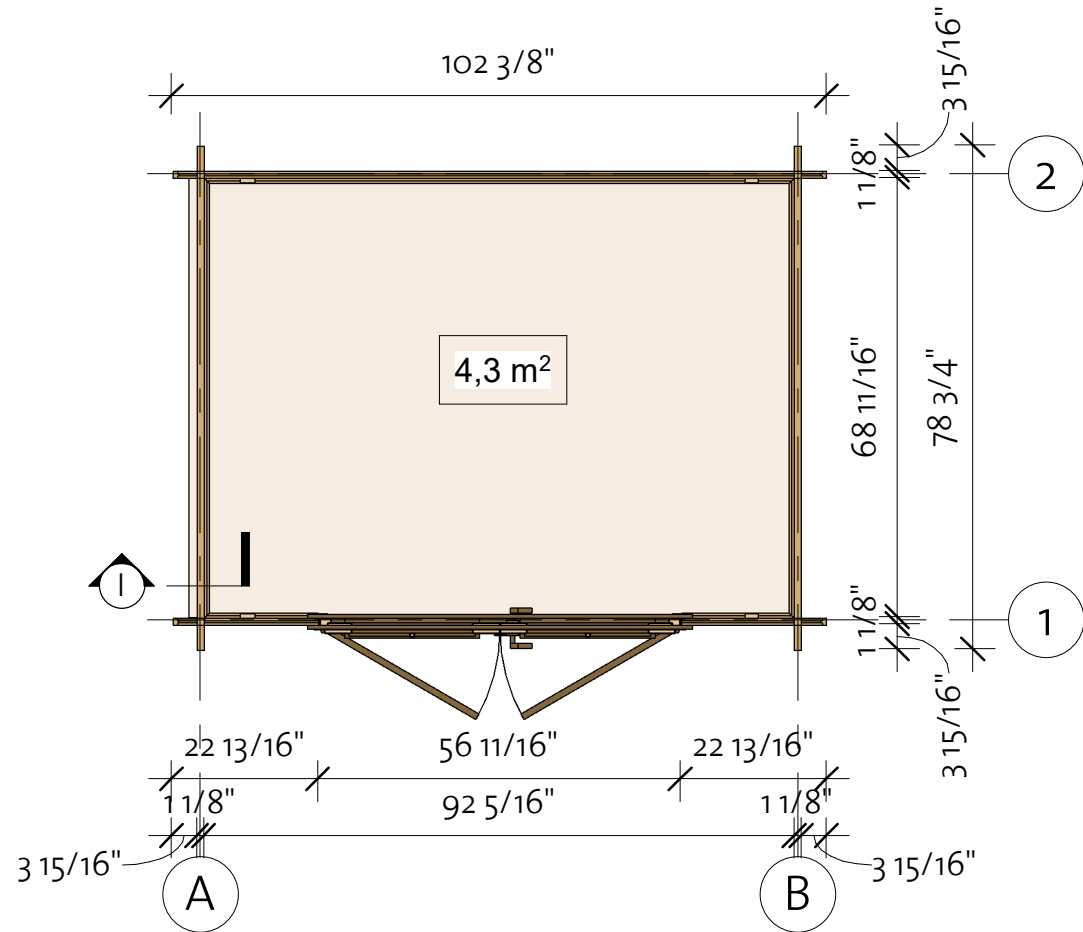
Carol 1 1/8" (9 7/16" x 7 1/16")

Floor Plan

① Baseboard

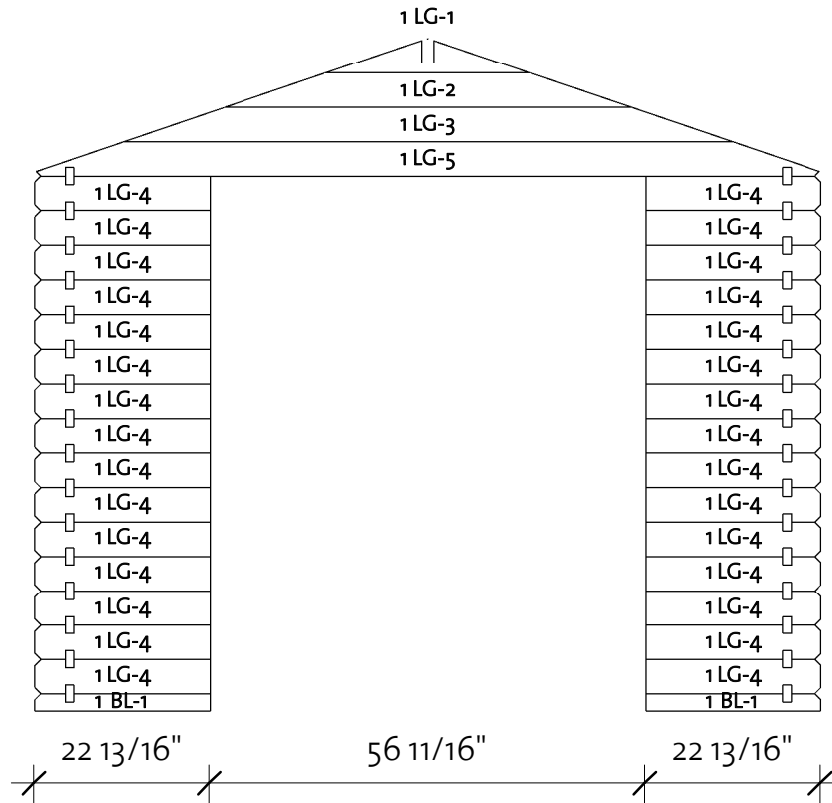
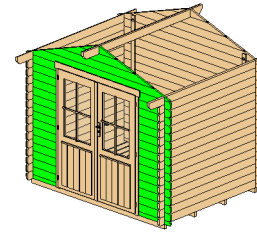


Floor Schedule				
Mark	Type	Profile	Count	Length
FB	FB 17x114		22	68 9/16"
BB1	BB 20x40		2	70 7/8"
BB2	BB 20x40		2	94 1/2"



Carol 1 1/8" (9 7/16"x7 1/16")

Wall 1


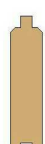


Wall 1			
Mark	Profile	Count	Cut Length

1BL-1	28x57	2	22 13/16"
1LG-1*	28x114	1	26 7/16"
1LG-2*	28x114	1	52 13/16"
1LG-3*	28x114	1	79 1/8"
1LG-4	28x114	30	22 13/16"
1LG-5*	28x114	1	102"

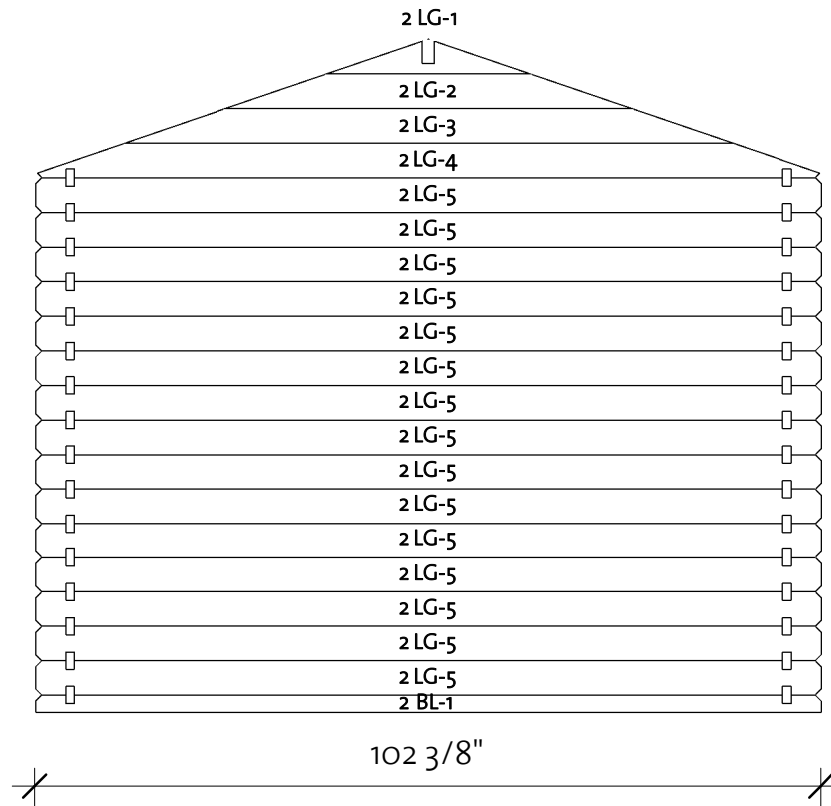
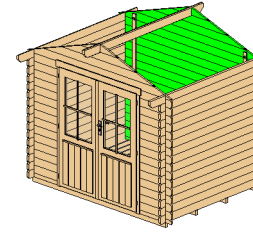
* Gable - delivered premounted

Log Profile Wall 1	
Profile	Profile

28x57	
28x114	

Carol 1 1/8" (9 7/16"x7 1/16")

Wall 2



Wall 2			
Mark	Profile	Count	Cut Length

2BL-1	28x57	1	102 3/8"
2LG-1*	28x114	1	26 7/16"
2LG-2*	28x114	1	52 13/16"
2LG-3*	28x114	1	79 1/8"
2LG-4*	28x114	1	102"
2LG-5	28x114	15	102 3/8"

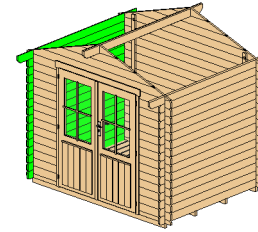
* Gable - delivered premounted

Log Profile Wall 2	
Profile	Profile

28x57	
28x114	

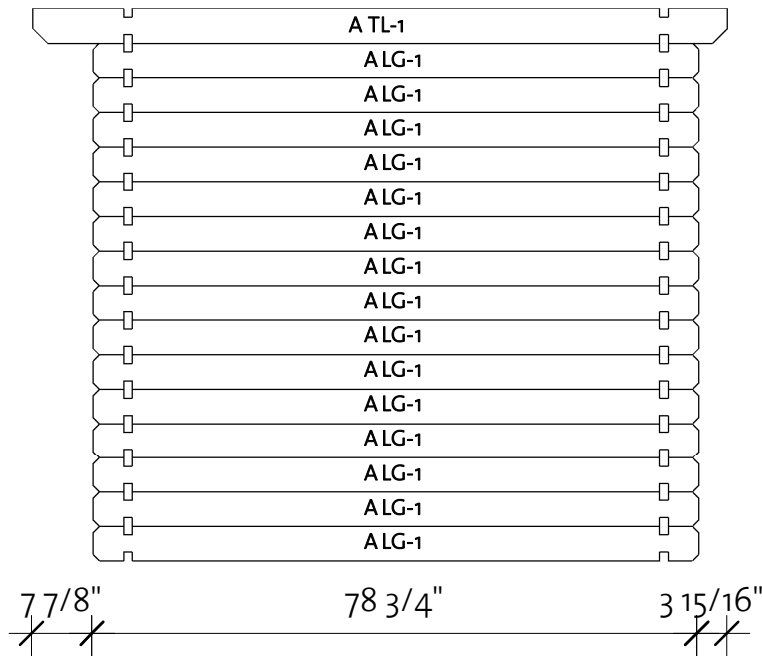
Carol 1 1/8" (9 7/16" x 7 1/16")

Wall A



Wall A			
Mark	Profile	Count	Cut Length

ALG-1	28x114	15	78 3/4"
ATL-1	28x114	1	90 9/16"

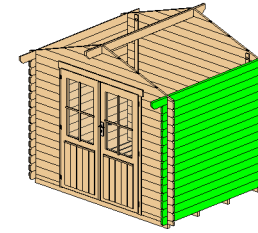


Log Profile Wall A	
Profile	Profile

28x114	
28x114	

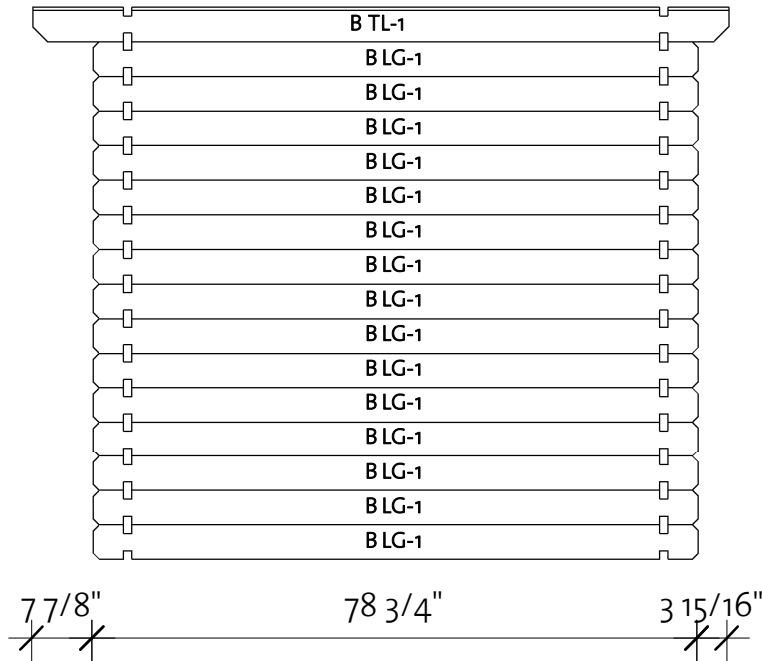
Carol 1 1/8" (9 7/16" x 7 1/16")

Wall B



Wall B			
Mark	Profile	Count	Cut Length

BLG-1	28x114	15	78 3/4"
BTL-1	28x114	1	90 9/16"

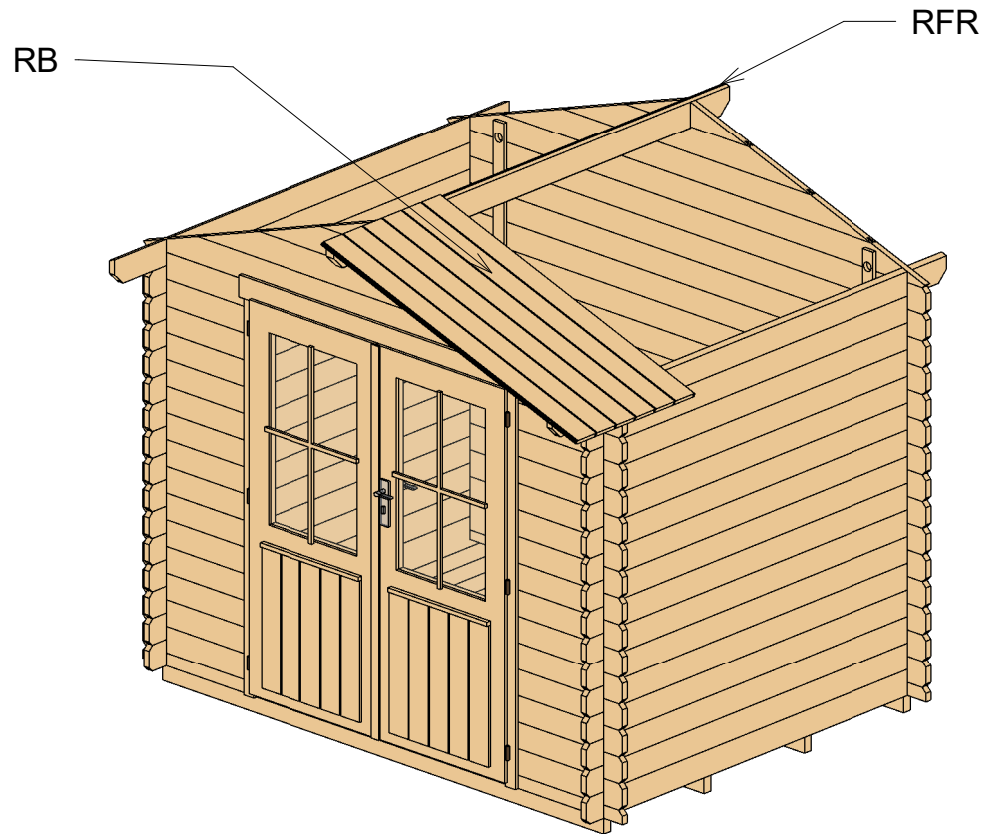




Log Profile Wall B	
Profile	Profile

28x114	
28x114	

Carol 1 1/8" (9 7/16" x 7 1/16")

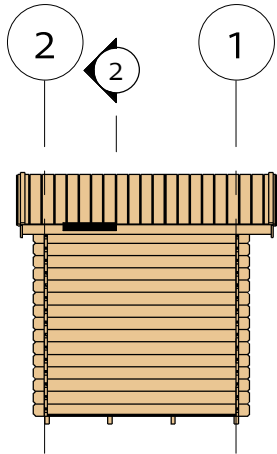
Roof 1



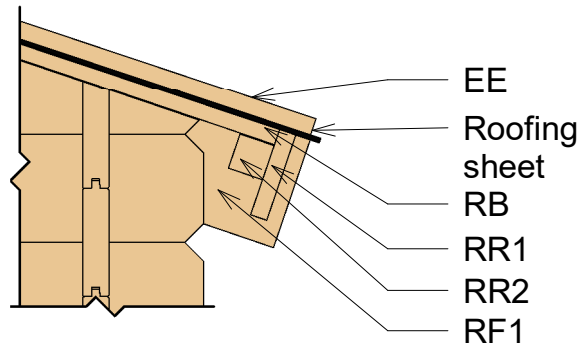
Roof				
Mark	Type	Profile	Count	Length
RFR	Ridge 40x120		1	90 9/16"
RB	17x114		42	57 3/16"

Carol 1 1/8" (9 7/16" x 7 1/16")

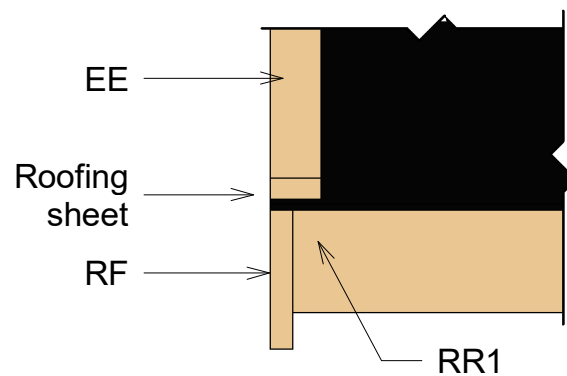
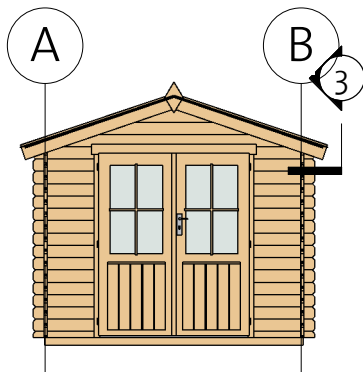
Roof 2



② Facia



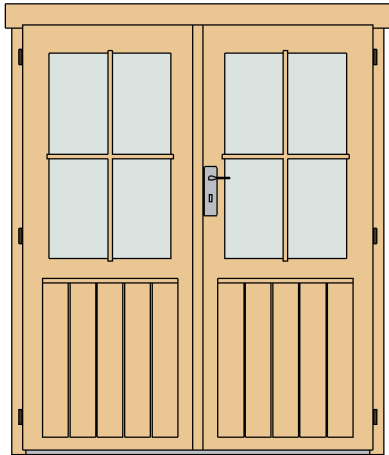
③ Roof Reinforcement



Fascia Schedule				
Mark	Type	Profile	Count	Length
EE	Eave Edging 18x40		4	58 11/16"
RF	Roof Fascia 18x120		4	58 3/4"
RR1	Roof reinforcement 18x95		2	90 9/16"
RR2	Roof reinforcement 38x38		2	90 9/16"

Carol 1 1/8" (9 7/16" x 7 1/16")

Extras



Door Schedule				
Mark	Type	Width	Height	Count
BDD7R	Basic double door 7 right	56 1/8"	68 1/8"	1
DCB4	Door Crossbar 4	--	--	2

Fasteners & Extras		
Name	Type	Count

Hitblock	300-400 mm	
Screws	3/16" x 2 3/4"	10
Bolt	M5/16" x 2 3/8"	12
Screws	1/4" x 5 1/2"	25
Nails	1/16" x 1 9/16"	30
Screws	3/16" x 1 9/16"	60
Screws	3/16" x 2"	200

Family	Count
--------	-------

Romb	2
------	---



Type	Count	Length
------	-------	--------

Windboard 18x40	4	86 5/8"
-----------------	---	---------




Carol 1 1/8" (9 7/16"x7 1/16")

List of all items 1


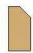
Impregnated foundation beams

Mark	Type	Profile	Count	Length
------	------	---------	-------	--------

IFB	IFB 40x70		4	94 1/8"
-----	--------------	---	---	---------



Floor Schedule

Mark	Type	Profile	Count	Length
------	------	---------	-------	--------

FB	FB 17x114		22	68 9/16"
BB1	BB 20x40		2	70 7/8"
BB2	BB 20x40		2	94 1/2"





Roof

Mark	Type	Profile	Count	Length
------	------	---------	-------	--------

RFR	Ridge 40x120		1	90 9/16"
RB	17x114		42	57 3/16"

Fascia Schedule

Mark	Type	Profile	Count	Length
------	------	---------	-------	--------

EE	Eave Edging 18x40		4	58 11/16"
RF	Roof Fascia 18x120		4	58 3/4"
RR1	Roof reinforcement 18x95		2	90 9/16"
RR2	Roof reinforcement 38x38		2	90 9/16"

Carol 1 1/8" (9 7/16"x7 1/16")

List of all items 2

Wall 1			
Mark	Profile	Count	Cut Length

1BL-1	28x57	2	22 13/16"
1LG-1*	28x114	1	26 7/16"
1LG-2*	28x114	1	52 13/16"
1LG-3*	28x114	1	79 1/8"
1LG-4	28x114	30	22 13/16"
1LG-5*	28x114	1	102"

* Gable - delivered premounted

Wall 2			
Mark	Profile	Count	Cut Length

2BL-1	28x57	1	102 3/8"
2LG-1*	28x114	1	26 7/16"
2LG-2*	28x114	1	52 13/16"
2LG-3*	28x114	1	79 1/8"
2LG-4*	28x114	1	102"
2LG-5	28x114	15	102 3/8"

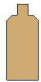

Wall A			
Mark	Profile	Count	Cut Length

ALG-1	28x114	15	78 3/4"
ATL-1	28x114	1	90 9/16"

Wall B			
Mark	Profile	Count	Cut Length

BLG-1	28x114	15	78 3/4"
BTL-1	28x114	1	90 9/16"

Log Profiles	
Profile	Profile

28x57	
28x114	

Log Profiles	
Profile	Profile

28x114	
--------	---